



Finbrella
wind-stable umbrellas

REVOLVASHADE™



Premium Quality Cantilever Umbrellas





About Revolvashade

For over 30 years Revolvashade® has been a trusted supplier of premium quality Cantilever umbrellas to Australia's leading businesses. Meticulously crafted, our premium umbrellas provide unparalleled shade protection, exuding sophistication and unwavering quality.

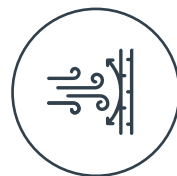


Why Revolvashade?



100% UV protection

Combining the highest quality materials and construction to provide exceptional UV protection.



Wind resistance up to 110km/hr

We lead the industry with up to 92.5km and 110km/hr wind ratings.



Up to 8 years warranty

Built for resilience. One Revolvashade umbrella will outlast almost any other regular outdoor umbrella.



Patented technology

Privacy, protection, ease of use, and near silent operation, you won't find anywhere else.



100% Australian made & owned

Designed and manufactured in Queensland for over 30 years.



Customisable to suit any colour scheme

Choose your size, shape and colours of your frame and canopy.

The process

Request a quote

1.

So that we can provide a more accurate quote, we kindly ask that you make your request via our website, or through one of our various retailers, whom you can also find via our website.

Custom production

2.

Every Revolvashade® umbrella is made to order locally in Queensland. Upon quote acceptance, our sewing specialists and assemblers will produce and quality test your umbrella. Production times are typically around four weeks. We will also have a selection of stock immediately available with our most popular combinations.

Delivery

3.

Packaged for protection, your umbrella will be delivered to your nominated address. You will also receive the product warrant and installation instructions upon delivery.

Installation

4.

Revolvashade® products require self-installation, made easy with our detailed instructions and step-by-step guide. Alternatively, when you order through a Revolvashade retailer, you can liaise individually with the retailer regarding their installation options.

After care

5.

Every Revolvashade® umbrella is quality assured with long-term warranty.

Throughout the entire process, we're with you every step of the way to ensure your expectations are exceeded. If you have any questions about our process, please get in touch. We're more than happy to assist, any time.



Premium Cantilever Umbrellas

Residential

Commercial

☑ Deluxe

☑ Centre pole

☑ Ultimate

☑ Cantilever

|  | Residential | | Commercial | |
|---|--------------------|--------------------|-----------------------------------|-----------------------------------|
| | Deluxe | Ultimate | Cantilever | Centre pole |
| 100% UV protection | ✓ | ✓ | ✓ | ✓ |
| Single tilt | ✓ | ✓ | | |
| Double tilt | (Upgrade Optional) | (Upgrade Optional) | | |
| Height adjustability | | ✓ | | |
| Wind rating (up to) | 92.5km/hr | 92.5km/hr | 110km/hr | 110km/hr |
| Frame warranty | 8 years | 8 years | 8 years | 8 years |
| Fabric warranty | 5 years | 5 years | 5 years | 5 years |
| 360 rotation | ✓ | ✓ | ✓ | |
| Octagonal canopy | ✓ | ✓ | ✓ | ✓ |
| Square canopy | ✓ | | ✓ | ✓ |
| Rectangle canopy | ✓ | | ✓ | ✓ |
| 100% Acrylic canvas | ✓ | ✓ | Fire retardant material available | Fire retardant material available |
| Cost | \$4,415* | \$5,056* | \$5,445* | \$5,445* |

Revolvashade Deluxe Umbrella

Most popular

Residential

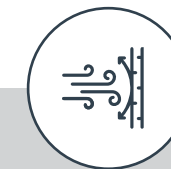
Luxury shade for pool, deck, and dining areas.
From \$4,415*

Standard Inclusions:

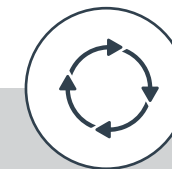
- Frame
- Octagonal or square canopy
- Boltdown or inground base
- Single tilt as standard – allows for an almost vertical tilt
- Double tilt upgrade optional – allows additional canopy tilting on side/side axis
- Storage Cover optional – \$450



100% UV
protection



Wind
Resistance
up to 92.5km
/hour



360 degree
rotation



8 year frame
warranty

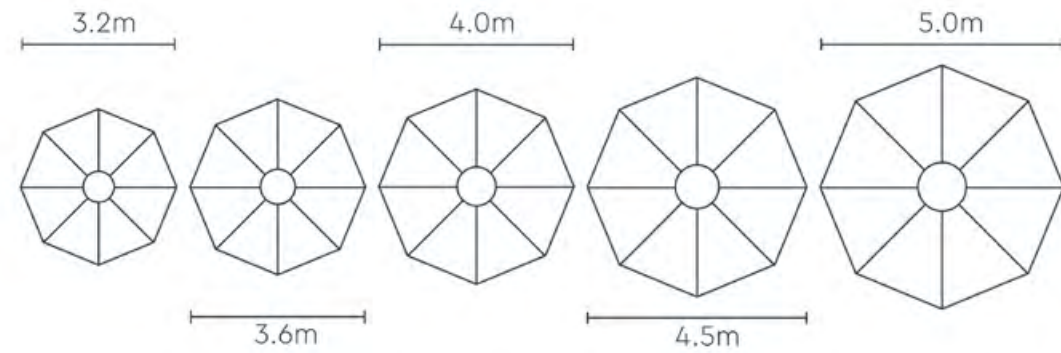


5 year canopy
warranty

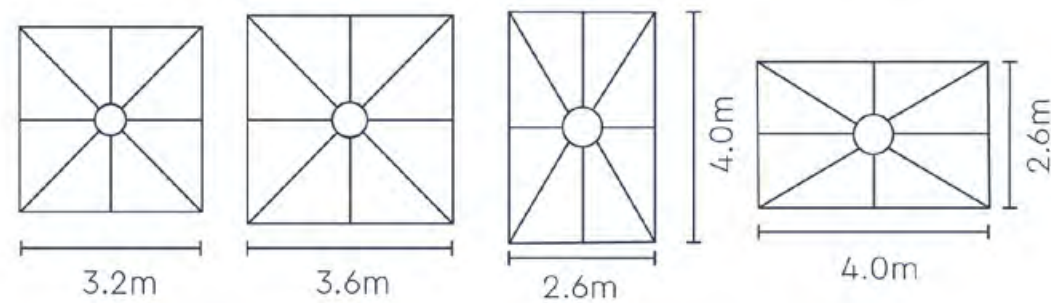


Shapes and Sizes

Octagonal Deluxe



Square / Rectangular Deluxe

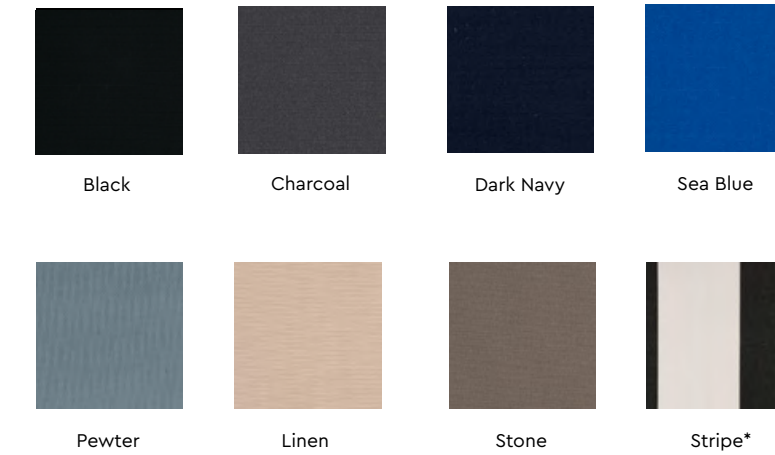


Base Options



Canopy Colours

All canopies are made with 100% solution-dyed acrylic canvas for premium strength and fade resistance.



Striped colours are available in Black & White, Dark Blue and White
*Striped Canopy Colour is not available in the square umbrella size

Frame Finishes

High-end UV resistant powdercoated finish.



Revolvashade Ultimate Umbrella

Residential

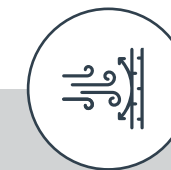
Luxury shade for pool, deck and dining areas with height adjustability.

Standard Inclusions:

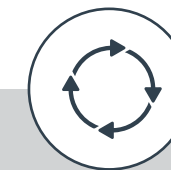
- Height adjustable
- Frame
- Octagonal canopy
- Bolt-down or inground base
- Single tilt as standard – allows tilting on front/back axis
- Double tilt upgrade optional – allows additional canopy tilting on side/side axis.
- Storage cover optional – \$450



100% UV protection



Wind Resistance up to 92.5km/hour



360 degree rotation



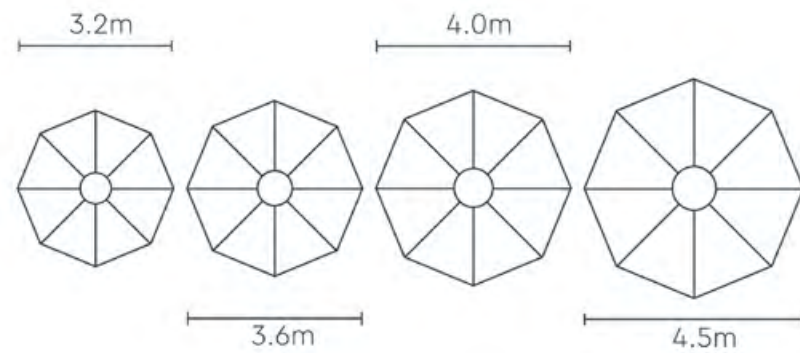
8 year frame warranty



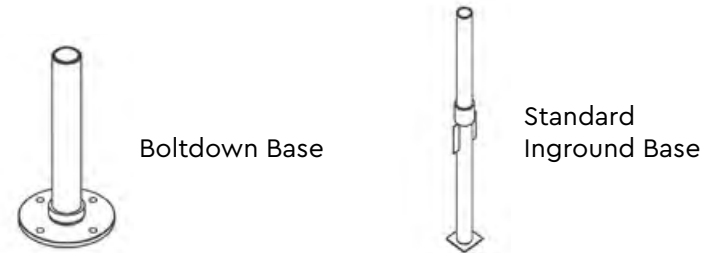
5 year canopy warranty

Shapes and Sizes

Octagonal Deluxe

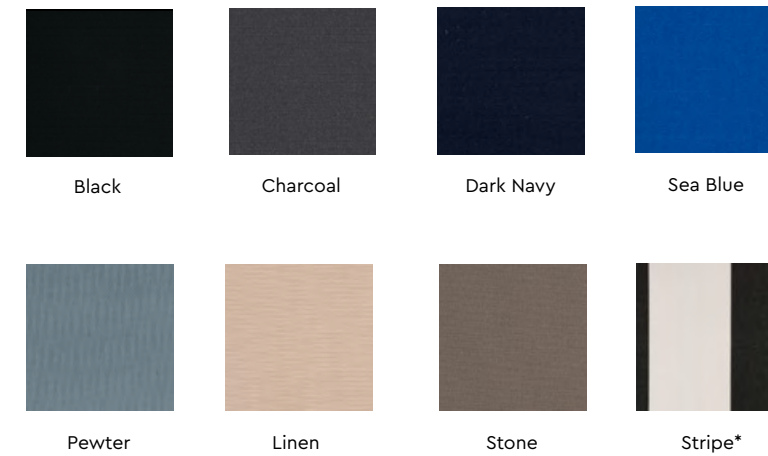


Base Options



Canopy Colours

All canopies are made with 100% solution-dyed acrylic canvas for premium strength and fade resistance.



Striped colours are available in Black & White, Dark Blue and White
*Striped canopy colour only available in Octagonal canopy 3.2m, 3.6m and 4.0m size

Frame Finishes

High-end UV resistant powdercoated finish.





Revolvashade Rectangular Umbrella

Residential and commercial

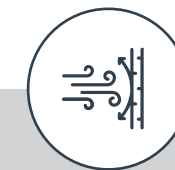
Luxury shade and protection for vehicles, swim spas and dining areas. No council approval required.
From \$5,785*

Standard Inclusions:

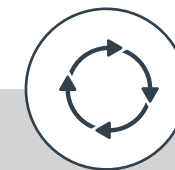
- Frame
- Rectangular canopy (acrylic or fire retardant materials)
- Boltdown or inground base



100% UV
protection



90km/hour
wind resistance



360 degree
rotation



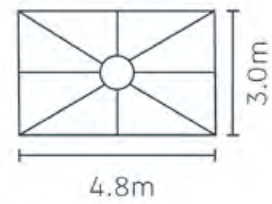
8 year frame
warranty



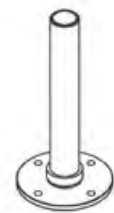
5 year canopy
warranty

Shapes and Sizes

Rectangular Shape



Base Options



Bolt-down Base



Inground Base

Canopy Colours & Material

100% Acrylic Canvas

100% solution-dyed acrylic canvas for premium strength and fade resistance.

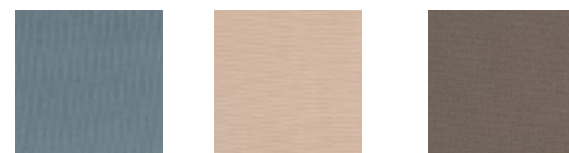


Black

Charcoal

Dark Navy

Sea Blue



Pewter

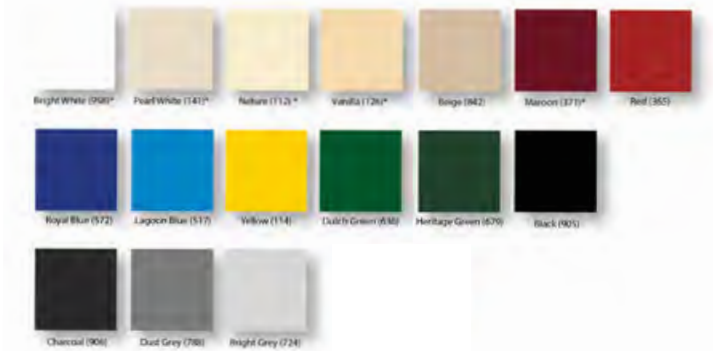
Linen

Stone

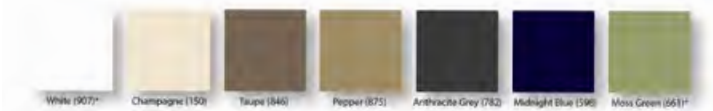
Fire Retardant Melher FR580

- PVC Coated Low-wick polyester base fabric
- PVDF lacquer to the top side*
- UV Stabilised
- Fire Retardant (Tested to AS1530.2 & AS1530.3)
- Anti-Fungicides
- Wide Colour Selection

Premium



Matte



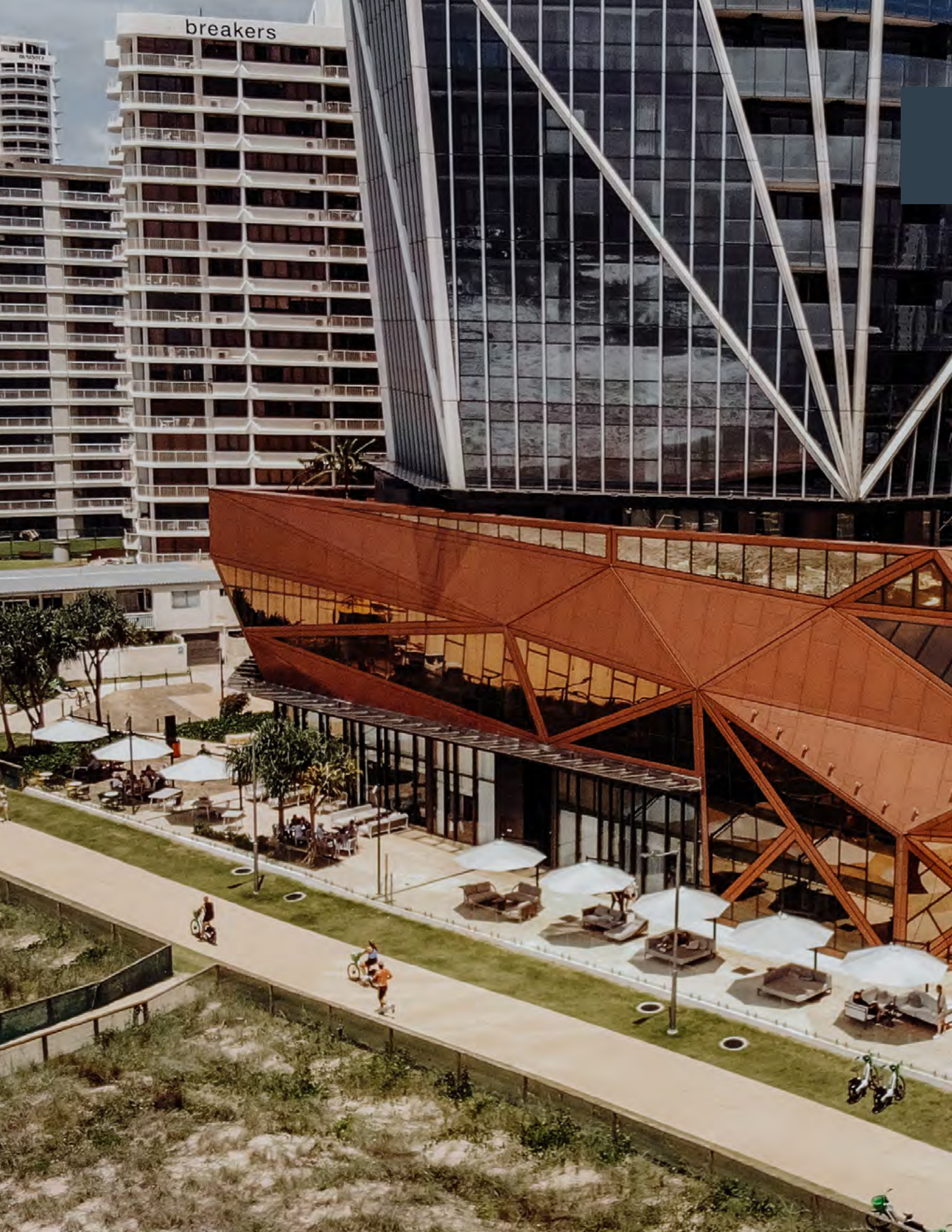
Metallics



Frame Finishes

High-end UV resistant powdercoated finish.





Revolvashade Commercial Cantilever Umbrella

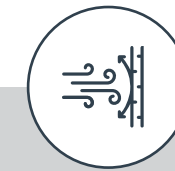
Luxury shade and protection for resorts, hotels, clubs, kindergartens, and any other outdoor setting.
From \$5,445*

Standard Inclusions:

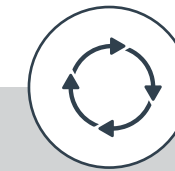
- Frame
- Octagonal or square canopy
- Bolt-down or inground base



100% UV protection



Wind Resistance up to 110km/hour



360 degree rotation



8 year frame warranty

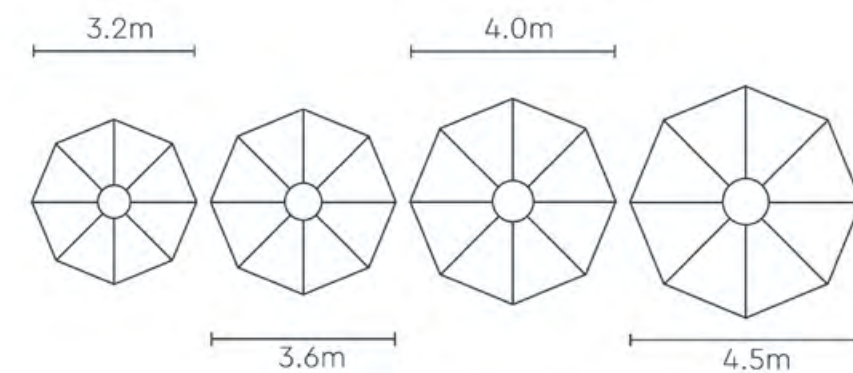


5 year canopy warranty

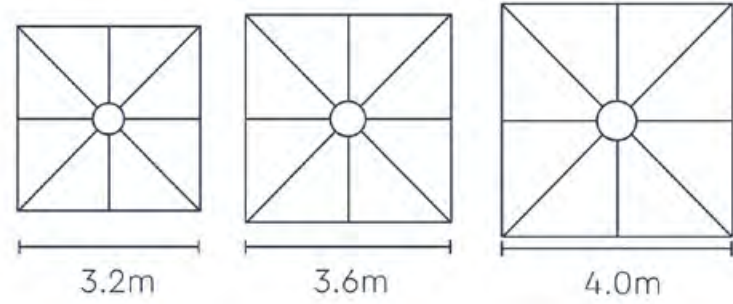
Shapes and Sizes



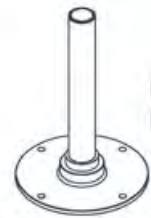
Octagonal



Square



Base Options



Large Bolt-down Base



Large Inground Base

Canopy Colours & Material

100% Acrylic Canvas

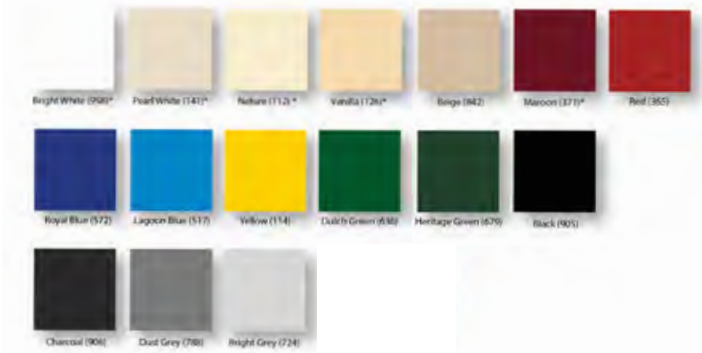
100% solution-dyed acrylic canvas for premium strength and fade resistance.



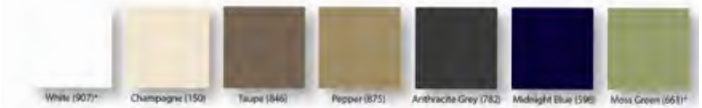
Fire Retardant Melher FR580

- PVC Coated Low-wick polyester base fabric
- PVDF lacquer to the top side*
- UV Stabilised
- Fire Retardant (Tested to AS1530.2 & AS1530.3)
- Anti-Fungicides
- Wide Colour Selection

Premium



Matte



Metallics



Frame Finishes

High-end UV resistant powdercoated finish.



Revolvashade Centre Pole Commercial

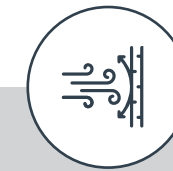
Luxury shade and protection for resorts, hotels, clubs, kindergartens, and any other outdoor setting.
From \$5,445*

Standard Inclusions:

- Frame
- Octagonal or square canopy
- Boltdown or inground base



100% UV protection



Wind Resistance up to 110km /hour



8 year frame warranty

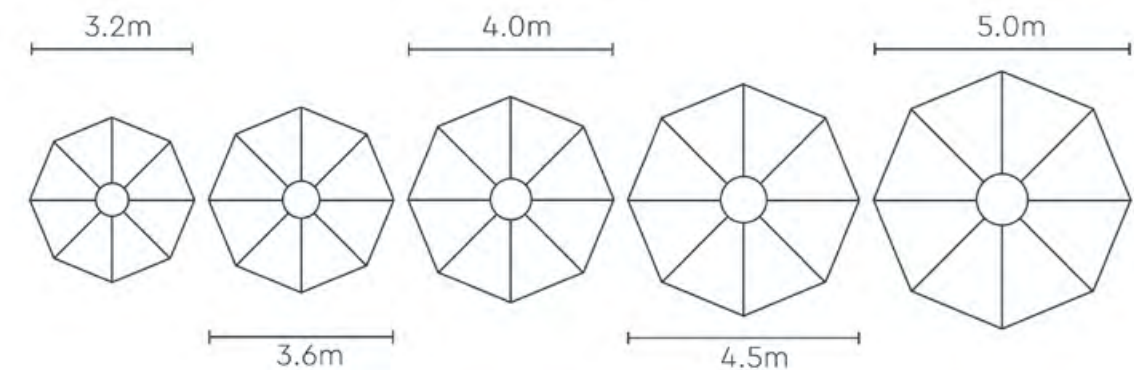


5 year canopy warranty

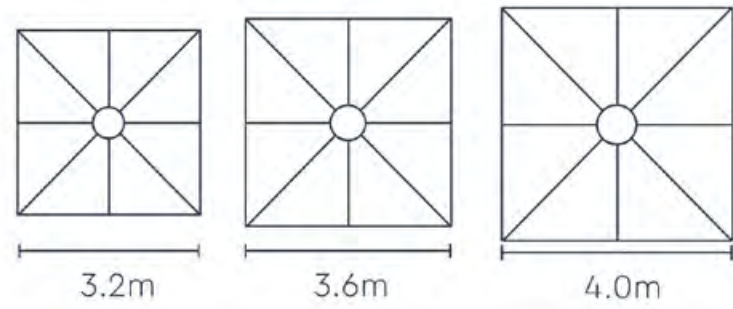
Shapes and Sizes



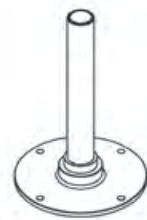
Optagonal



Square



Base Options



Large
Boltdown Base



Large
Inground Base

Canopy Colours & Material

100% Acrylic Canvas

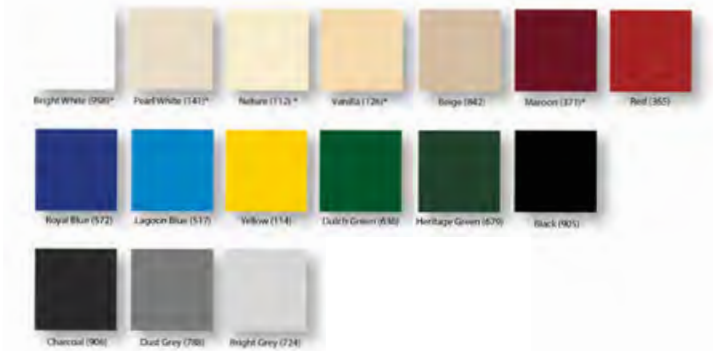
100% solution-dyed acrylic canvas for premium strength and fade resistance.



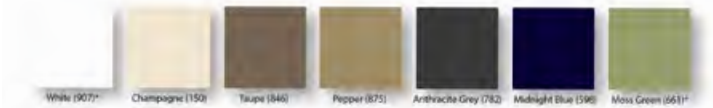
Fire Retardant Melher FR580

- PVC Coated Low-wick polyester base fabric
- PVDF lacquer to the top side*
- UV Stabilised
- Fire Retardant (Tested to AS1530.2 & AS1530.3)
- Anti-Fungicides
- Wide Colour Selection

Premium



Matte



Metallics



Frame Finishes

High-end UV resistant powdercoated finish.





Shade where and when you need it

Place an enquiry today and let's work together to create your ideal premium Cantilever umbrella.

Place your enquiry today
revolvashade.com/contact

Find your nearest retailer
revolvashade.com/wheretobuy

| QLD | |
|---|---|
| <p>Revolvashade HQ 2/50 Link Drive, Yatala QLD 4207 (07) 3889 6844</p> | <p>Daydream Leisure Furniture Noosa 1/37 Gibson Rd, Noosaville Noosa QLD 4566 (07) 5449 9336</p> |
| <p>Living on the Outside Shop B4/103 Duckworth St, Garbutt QLD 4814 (07) 4775 4896</p> | <p>Daydream Leisure Furniture Warana Corner Main Drive &, Nicklin Way, Warana Sunshine Coast QLD 4575 (07) 5493 4277</p> |
| <p>Ocean Reef Pools Unit 1/1-15 Centurion Dr, Paget Mackay QLD 4740 (07) 4952 6955</p> | <p>Narellan Pools Mackay 8 Grendon St, North Mackay QLD 4740 1300 676 657</p> |
| <p>Graham's Cool Shades 119 Julie Anne Drive, Rockhampton QLD 4711 0429 024 610</p> | <p>Narellan Pools Whitsundays 1697 Shute Harbour Rd, Cannon Valley QLD 4800 1300 676 657</p> |
| <p>Lume Outdoor Living 532 Kessels Rd, Macgregor QLD 4109 (07) 3849 3866</p> | <p>Narellan Pools Capricorn Coast 42 Noon Drive, Inverness QLD 4703 0436 306 535</p> |
| <p>Coastal Blinds 2/43 Commercial Street, Bundaberg 4670 (07) 4152 7334</p> | <p>Narellan Pools Townsville 1-7 Rendle Street, Aitkenvale, QLD 4814 (07) 4728 3794</p> |
| <p>Brisbane Spa Super Centre 819 Beaudesert Rd, Archerfield QLD South Brisbane QLD 4108 1300 180 743</p> | <p>Narellan Pools Fraser Coast 95-97 Islander Rd, Pinalba QLD 4655 1300 676 657</p> |
| <p>Bask Outdoor Living 29 Upton St, Bundall, Gold Coast, Queensland 4217 (07) 5592 5256</p> | <p>Burleigh Pool Solutions 3 Jabairu Ave, Burleigh Waters QLD 4220 0432 080 112</p> |
| <p>Shade Solutions Queensland Unit 1/41 Deakin Street Brendale QLD 4500 (07) 3205 9913</p> | <p>Pool Equipment Brisbane 42 Noon Drive Ipswich, QLD 4305 0455 105 800</p> |
| <p>Tru-Blue Shades Upper Coomera, Gold Coast QLD 4209 0404 840 543</p> | <p>Pickers Vinyl & Canvas 270 Mulgrave road Cairns, QLD 4870 07 4051 3290</p> |

WA

Finbrella
79 Forsyth Street,
O'Connor, WA 6163
0499 266 026

Finbrella
wind-stable umbrellas



WA

Finbrella
79 Forsyth Street,
O'Connor, WA 6163
0499 266 026

Finbrella
wind-stable umbrellas

Specialists in premium outdoor living spaces.

REVOLVASHADE™

For stylish, all weather outdoor solutions contact:
0499 266 026 or email info@finbrella.com

